

# DH-SF1016

## 16-Port Unmanaged Ethernet Switch



- 16-Port 10/100Mbps Ethernet Switch.
- Complies with IEEE802.3, IEEE802.3u and IEEE802.3X standards.
- Supports MAC learning and aging and MAC address list capacity is 8K.
- Wide operating temperature from -20°C to +60°C.
- Metal housing with great heat dissipation.
- Easy to install, and plug and play.



### Series Overview

The Device is a layer-2 commercial switch. It has a high-performance switching engine and a large buffer memory to ensure smooth video stream transmission. With a full-metal and fanless design, the Device features great heat dissipation capability on the shell surface. The Device is an unmanaged switch, so it does not need to be configured through web interface, which simplifies installation.

### Functions

#### Plug and Play

Hassle-free, it does not require any configuration. Simply use after it is powered on.

#### Wide Operating Temperature (-20 °C to +60 °C)

With its metal housing, it has great heat dissipation and a wide operating temperature that ranges from -20°C to +60°C.

#### Fanless Design

The fanless design reduces noise, enhances user experience, reduces mechanical losses and improves service life to a certain extent.

#### Optimized Performance

All ports can transmit streams at high speeds without delay.

### Scene

Suitable for small-scale scenes such as offices, schools, hotels, supermarkets, and hospitals.

# Desktop Ethernet Switch | DH-SF1016

## Technical Specification

### Hardware

Included Power Adapter	Yes
Ethernet Port	16
Ethernet Port Speed	10/100 Mbps
Description of Function Slots	Port 1-16: 16 × RJ-45 10/100 Mbps
Power Supply	Built-in power supply: 100–240 VAC, 50/60 Hz, max 0.7 A
Operating Temperature	–20 °C to +60 °C (–4 °F to +140 °F)
Operating Humidity	10%–90% (RH), non-condensing
Storage Temperature	–40 °C to +75 °C (–40 °F to +167 °F)
Power Consumption	Idling: 0.5 W Full load: 1.6 W

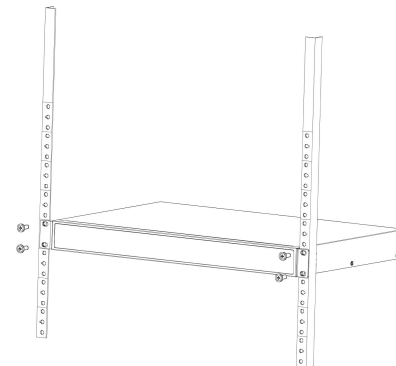
### Performance

Layer	Layer 2
Switching Capacity	3.2 Gbps
Packet Forwarding Rate	2.38 Mpps
Packet Buffer Size	2 Mbit
Jumbo Frame	2048 Byte
MAC Table Size	8K Byte
Communication Standard	IEEE802.3; IEEE802.3u; IEEE802.3X

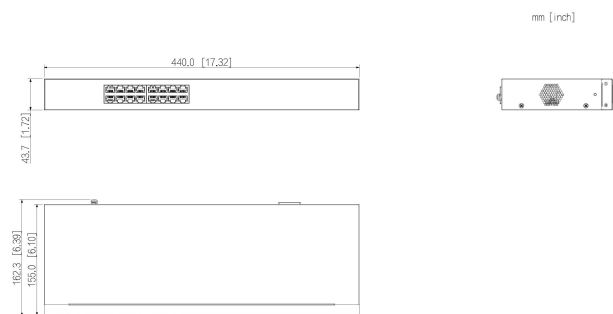
### General

Statics Protection	Air discharge: 8 kV Contact discharge: 6 kV
Lighting Protection	Common mode: 2 kV Differential mode: 0.5 kV
Net Weight	1.57 kg (3.46 lb)
Gross Weight	2.49 kg (5.49 lb)
Product Dimensions	440 mm × 155 mm × 43.7 mm (17.32" × 6.10" × 1.72") (L × W × H)
Packaging Dimensions	523 mm × 273 mm × 109 mm (20.59" × 10.75" × 4.29") (L × W × H)
Casing Material	Iron
Installation	Desktop mount; rack mount
Certifications	CE

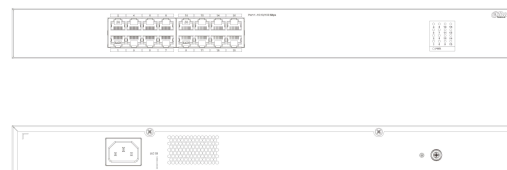
## Installation



## Dimensions (mm[inch])



## Panels



## Ordering Information

Type	Part Number	Description
Ethernet Switch	DH-SF1016	16-Port Unmanaged Ethernet Switch