

## DS-2DE2C400IWG-K/4G/C05S10 4 MP Pro Solar-powered Security PT Camera Setup



Hikvision DS-2DE2C400IWG-K/4G Pro Solar-powered Security PT Camera Setup is ideal for outdoor HD surveillance of small businesses and private properties, as well as close-range surveillance of roads, parks, estates, farms, plantations, construction sites, etc.

- High quality imaging with 4 MP resolution
- Dual transducers – PIR and Radar work together for higher detection accuracy
- Support 4G LTE data transmission
- Built-in microphone and built-in speaker for two-way audio and audio alarm
- Support on-board storage up to 512 GB (SD card slot)
- Water and dust resistant (IP66)
- Support manual adjustment of the radar angle: 0°, 10°, and 20°

## ▪ Specification

Camera	
Image Sensor	1/2.7" Progressive Scan CMOS
Max. Resolution	2560 × 1440
Shutter Time	1/3 s to 1/100,000 s
Min. Illumination	Color: 0.005 Lux @ (F1.6, AGC ON), B/W: 0 Lux with IR
Day & Night	IR cut filter
Lens	
Lens Type	Fixed focal lens, 2.8 and 4 mm optional
Focal Length & FOV	2.8 mm, horizontal FOV 94°, vertical FOV 49°, diagonal FOV 114° 4 mm, horizontal FOV 70°, vertical FOV 35°, diagonal FOV 85°
Lens Mount	M12
Iris Type	Fixed
Aperture	F1.6
PTZ	
Movement Range (Pan)	0° to 340°
Movement Range (Tilt)	0° to 80°
Pan Speed	Up to 25°/s
Tilt Speed	Up to 25°/s
DORI	
DORI	2.8 mm, D: 68 m, O: 27 m, R: 13 m, I: 6 m 4 mm, D: 100 m, O: 39 m, R: 20 m, I: 10 m
Illuminator	
Supplement Light Type	IR
Supplement Light Range	Up to 30 m
Smart Supplement Light	Yes
IR Wavelength	850 nm
Network	
API	ONVIF (Profile S, Profile G, Profile T), ISAPI, SDK
Video	
Main Stream	50 Hz: 12.5 fps (2560 × 1440, 1920 × 1080, 1280 × 720) 60 Hz: 15 fps (2560 × 1440, 1920 × 1080, 1280 × 720)
Sub-Stream	50 Hz: 12.5 fps (1280 × 720, 640 × 480, 640 × 360) 60 Hz: 15 fps (1280 × 720, 640 × 480, 640 × 360)
Video Compression	Main stream: H.265/H.264, Sub-stream: H.265/H.264/MJPEG
Video Bit Rate	32 Kbps to 8 Mbps
H.264 Type	Baseline Profile, Main Profile, High Profile
H.265 Type	Main Profile
Bit Rate Control	CBR, VBR
Region of Interest (ROI)	1 fixed region for main stream
Audio	
Audio Type	Mono sound
Audio Sampling Rate	8 kHz/16 kHz
Environment Noise Filtering	Yes

Audio Compression	G.722.1/G.711/MP2L2/PCM/G.726/AAC-LC
Audio Bit Rate	16 Kbps(G.722.1)/64 Kbps(G.711ulaw/G.711alaw)/32~160 Kbps(MP2L2)/8~48 Kbps(PCM)/16 Kbps(G.726)/16~64 Kbps(AAC-LC)
<b>Network</b>	
Security	Password protection, complicated password, basic and digest authentication for HTTP, TLS 1.1/1.2/1.3, WSSE and digest authentication for Open Network Video Interface
Simultaneous Live View	Up to 6 channels
Protocols	TCP/IP, DHCP, IPv4
User/Host	Up to 32 users 3 user levels: administrator, operator, and user
Client	Hik-Connect, HikCentral Professional, Hik-Partner Pro
Web Browser	Local service: IE 11, Chrome 57.0+, Firefox 52.0+, Edge 89+
<b>Mobile Communication</b>	
Standard	LTE-FDD, LTE-TDD, UMTS
Frequency	EU: LTE-FDD: B1/3/5/7/8/20/28 IN: LTE-FDD: B1/3/5/8 LTE-TDD: B34/38/39/40/41 LA: LTE-FDD: B2/3/4/5/7/8/28/66 NA: LTE-FDD: B2/4/5/12/13/17/66/71 UMTS: B2/4/5
Uplink and Downlink Data Rate	EU: uplink: 5.1 Mbps, downlink: 10.3 Mbps IN: uplink: 5.1 Mbps, downlink: 10.3 Mbps LA: uplink: 5.1 Mbps, downlink: 10.3 Mbps NA: uplink: 50 Mbps, downlink: 150 Mbps
SIM Card Type	Nano SIM
<b>Image</b>	
Wide Dynamic Range (WDR)	Digital WDR
SNR	≥ 52 dB
Day/Night Switch	Day, Night, Auto, Schedule
Image Enhancement	BLC, HLC, 3D DNR
Image Settings	Saturation, brightness, contrast, sharpness, gain, white balance, adjustable by client software or web browser
<b>Transducer</b>	
Transducer Type	PIR + Radar
Detection Angle	Horizontal: 80°, vertical: 30°
Detection Range	Up to 12 m
<b>Interface</b>	
Ethernet Interface	1 RJ45 10 M/100 M self-adaptive Ethernet port
On-Board Storage	Built-in memory card slot, support microSD/microSDHC/microSDXC card, up to 512 GB
Built-in Microphone	1 built-in microphone

Built-in Speaker	1 built-in speaker, Max. power consumption: 1.5 W, max. sound pressure level: 10 cm: 95 dB.
Reset Key	Yes
<b>Event</b>	
Basic Event	Motion detection (support alarm triggering by specified target types (human and vehicle)), video tampering alarm, exception
Linkage	Upload to FTP/memory card, notify surveillance center, send email, trigger recording, trigger capture, audible warning, strobe light flashing
<b>General</b>	
Dimension	133.1 mm × 177.64 mm × 382.44 mm/412.44 mm (5.24" × 6.99" × 15.06"/16.24")
<b>Battery</b>	
Cycle Lifetime	27 hours (1.85 W) Full charge battery runtime without solar input.
<b>General</b>	
Power	Power Consumption and Current: Typical power scenarios: 1.85 W (4G working) Standby scenarios: 80 mW Max. Power consumption: 7 W Power Supply: 12 VDC ± 25% *For debugging only 10 W (deviation: ± 5%) Solar panels Power Interface: Power supply interface: four-core aviation connector Extended solar panel: four-core aviation connector
Material	Plastic
Package Dimension	375 mm × 305 mm × 398 mm (14.76" × 12.01" × 15.67")
Weight	Approx. 850 g (1.87 lb.)
With Package Weight	Approx. 5400 g (11.88 lb.)
Storage Conditions	-30 °C to 60 °C (-22 °F to 140 °F). Humidity 95% or less (non-condensing)
Startup and Operating Conditions	0 °C to 50 °C (32 °F to 122 °F). Humidity 95% or less (non-condensing)
Language	English, Ukrainian
General Function	Heartbeat, anti-banding, mirror, password protection, password reset via email
<b>Battery</b>	
Battery Type	Ternary Lithium
Battery Voltage	9 V to 12.6 V
Capacity	50.76 Wh
Max. Charging Voltage	12.6 V
Max. Output Voltage	12.6 V
Operating Temperature	Charging: 0 °C to 45 °C (32 °F to 113 °F) Discharging: -20 °C to 55 °C (-4 °F to 131 °F)
Battery Life	More than 800 cycles

Approval	
RF	CE-RED: EN 301489-1 V2.1.1 (BT or 2.4G), EN 301489-17 V3.1.1 (BT or 2.4G), EN 300328 V2.1.1 (BT or 2.4G), EN 62311: 2008 (BT or 2.4G) *CE certification is only for the device sold in the European region.
EMC	CE-EMC: EN 55032:2015+A1:2020, EN 50130-4:2011+A1:2014, EN IEC 61000-3-2:2019+A1:2021, EN 61000-3-3:2013+A1:2019+A2:2021, IC: ICES-003: Issue 7, KC: KN32: 2015, KN35: 2015
Safety	CB: IEC 62368-1: 2014+A11, CE-LVD: EN 62368-1: 2014/A11: 2017, BIS: IS 13252 (Part 1): 2010/IEC 60950-1: 2005
Environment	CE-RoHS: 2011/65/EU, WEEE: 2012/19/EU, Reach: Regulation (EC) No 1907/2006
Protection	IP66: IEC 60529-2013

## ▪ Typical Application

Hikvision products are classified into three levels according to their anti-corrosion performance. Refer to the following description to choose for your using environment.

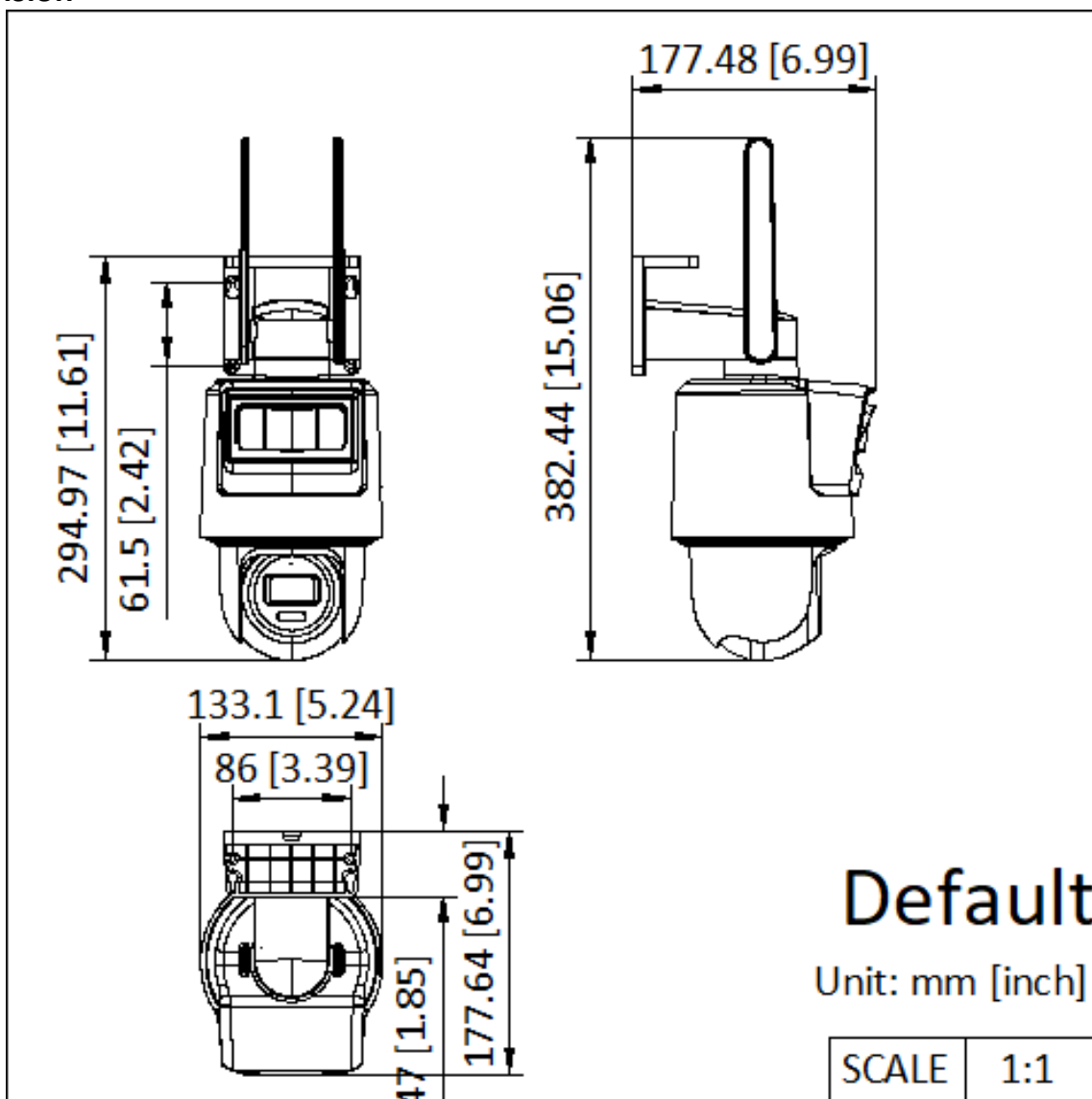
This model has NO SPECIFIC PROTECTION.

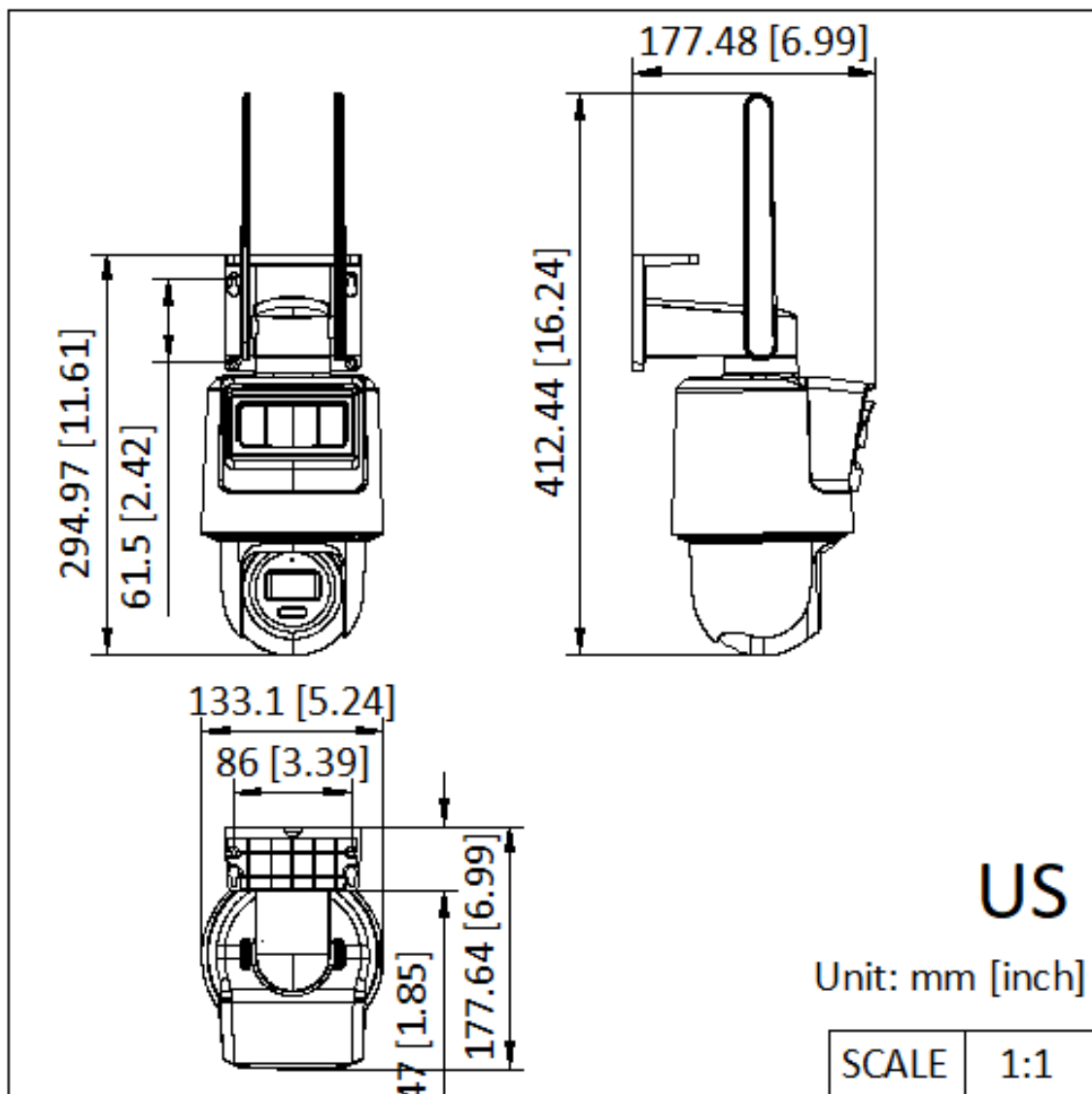
Level	Description
Top-level protection	Hikvision products at this level are equipped for use in areas where professional anti-corrosion protection is a must. Typical application scenarios include coastlines, docks, chemical plants, and more.
Moderate protection	Hikvision products at this level are equipped for use in areas with moderate anti-corrosion demands. Typical application scenarios include coastal areas about 2 kilometers (1.24 miles) away from coastlines, as well as areas affected by acid rain.
No specific protection	Hikvision products at this level are equipped for use in areas where no specific anti-corrosion protection is needed.

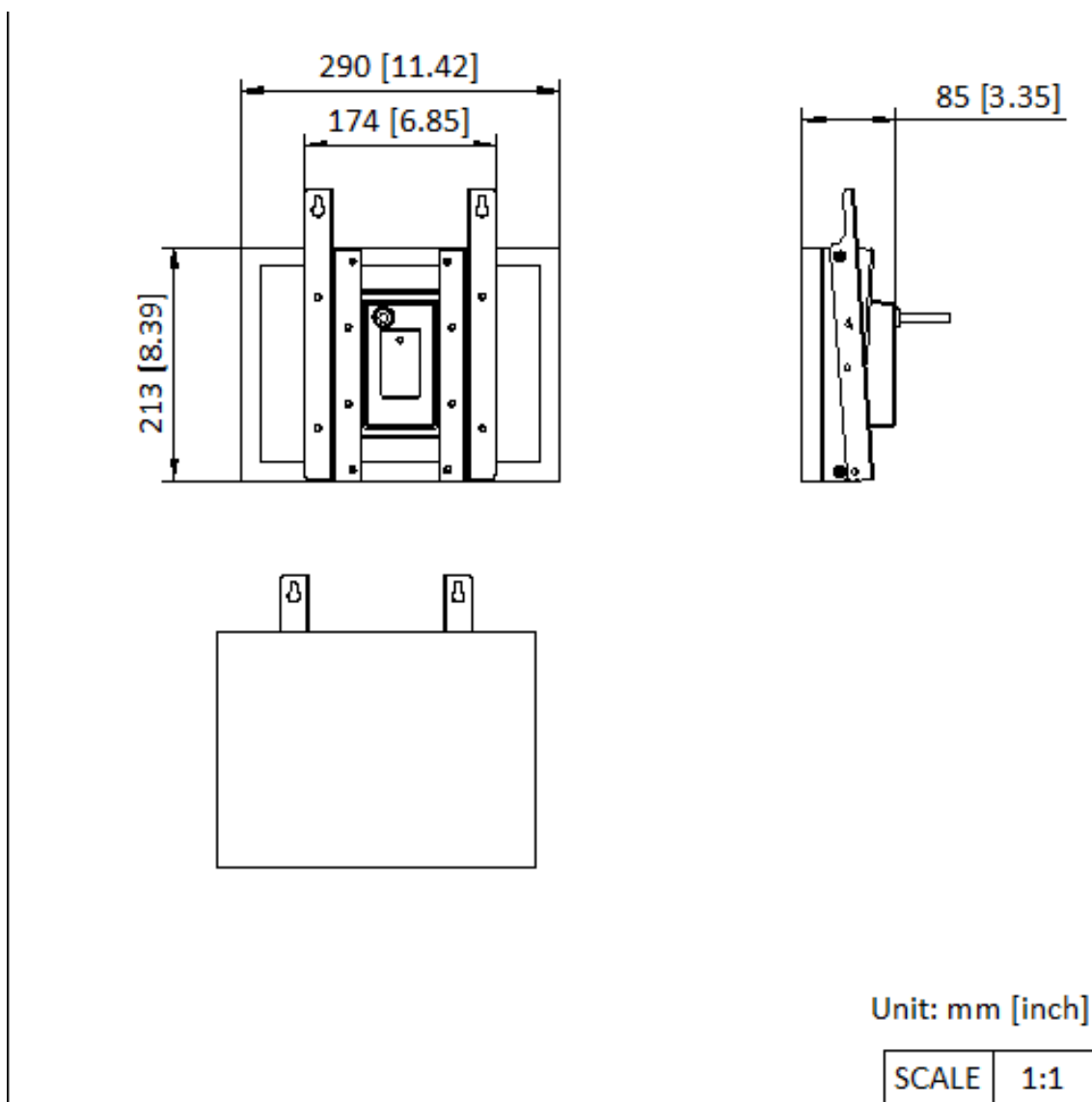
## ▪ Available Model

DS-2DE2C400IWG-K/4G/C05S10(2.8mm)  
 DS-2DE2C400IWG-K/4G/C05S10(2.8mm)LA  
 DS-2DE2C400IWG-K/4G/C05S10(2.8mm)US  
 DS-2DE2C400IWG-K/4G/C05S10(2.8mm)IN  
 DS-2DE2C400IWG-K/4G/C05S10(4mm)  
 DS-2DE2C400IWG-K/4G/C05S10(4mm)/LA  
 DS-2DE2C400IWG-K/4G/C05S10(4mm)/US  
 DS-2DE2C400IWG-K/4G/C05S10(4mm)/IN

Dimension







**Headquarters**

No.555 Qianmo Road, Binjiang District,  
Hangzhou 310051, China  
T +86-571-8807-5998  
www.hikvision.com



Follow us on social media to get the latest product and solution information.

